



**FARREL**

PT. FARREL INTERNUSA PRATAMA

# FARREL™ Pig Signal

MADE IN INDONESIA



PT. Farrel Internusa Pratama



Our Main Product



# About Us

## FEATURE

FARREL™ PIGSIG is weather proof and corrosion resistant. It is constructed from Stainless Steel, for durability and weather resistance. The flag indicator offers high visibility from the air or the ground. The carbon steel weld nipple is manufactured from easily weldable materials.




# FARREL™ PIGSIG

## FEATURE

- Indicator is available in a number of different mounting options including Flange mounted and Valve

# FARREL™ Pig Sig

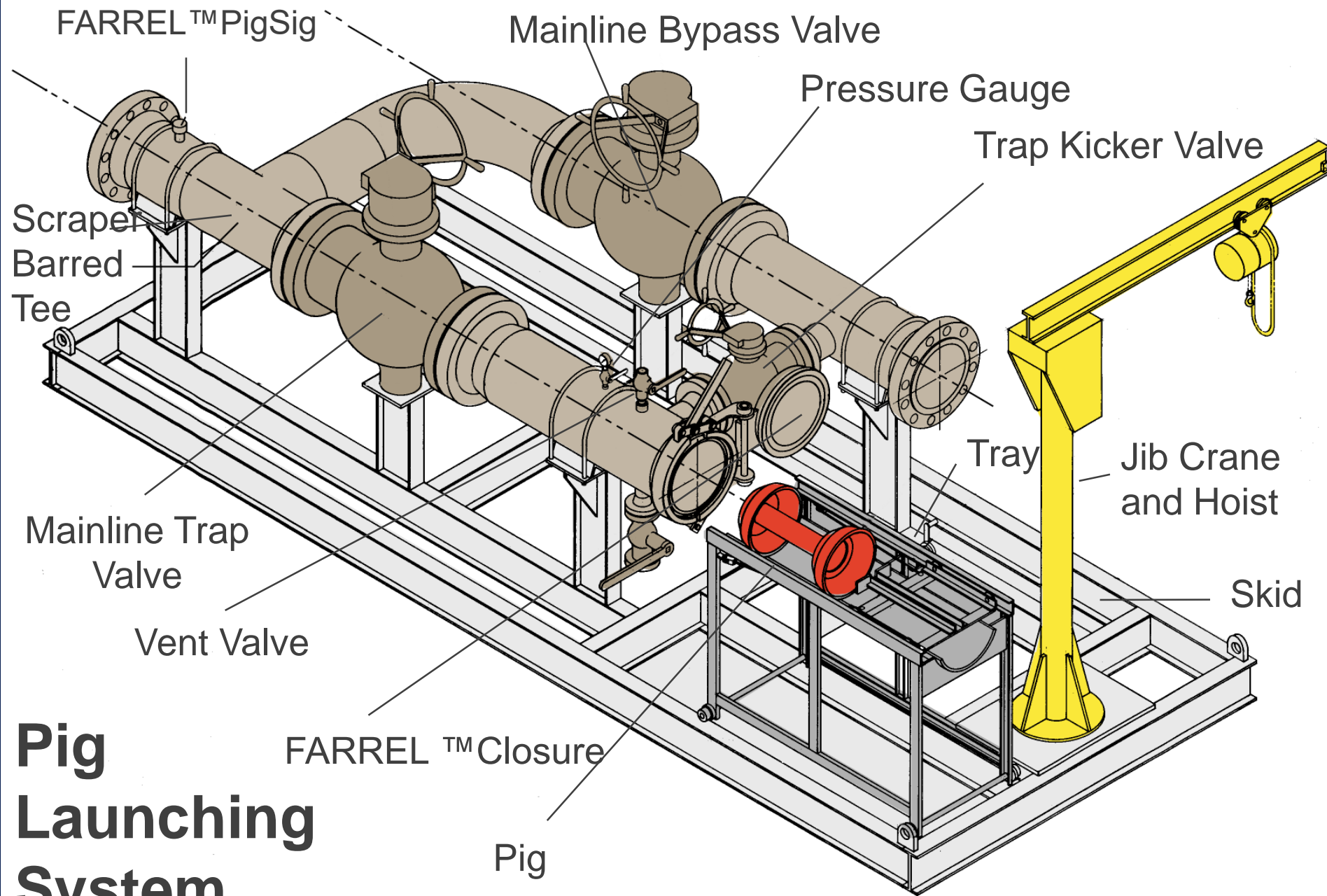


 <b>DATA SHEET</b> <b>PIG SIGNAL</b>		<b>SAMPLE</b>
<b>DESIGN DATA</b>		
PIG SIGNALLER , Brand & Manufacture	: "FARREL" & PT.Farrel Internusa Pratama	
TAG NUMBER	: 202 - XI - 100	
QUANTITY	: 1 ea	
Operation	: Mechanic	
Type	: Intrusive Omni Directional Signaller complete with FLAG INDICATOR	
Flag Indicator	: Red Colour	
Manual Reset	: Yes	
Enclosure Material	: 316 SS	
Wetted Part / Trigger	: 316 SS	
Seal O-Ring	: Double Seal , Viton	
Connection	: 2" ANSI 300# RF A 105 WN Flange	
Operating Temperature	: 96.91°F	
Design Temperature	: 200°F	
Operating Pressure	: 100 Psig	
Design Pressure	: 1350 Psig	
WT of pipe up to	: 0.75"	
Testing	: Hydrostatic Test & Function Test	

# PIG SIGNAL

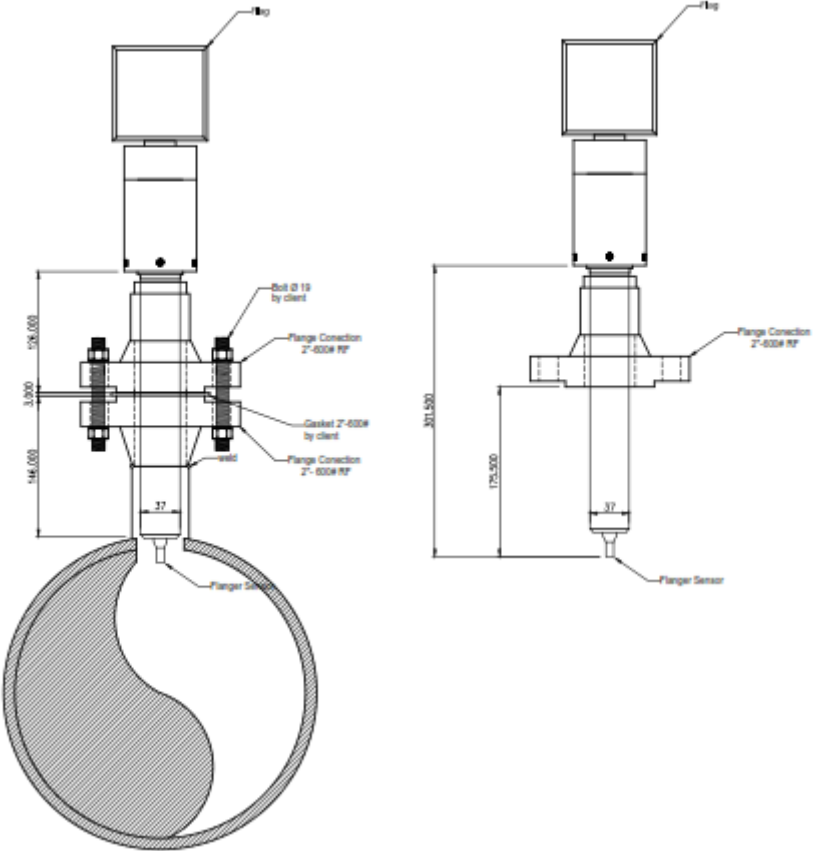


Pig Signalers are used to provide confirmation of the movement of pipeline pigs through a pipeline. They are normally positioned at both the pig launching and pig receiving stations and at key points along a pipeline.



# Pig Launching System

# Our Design



# OPTIONAL SPECIFICATION

Indicator Assembly	Shaft Assembly	Plug Assembly	O-ring Material	Pipe Wall Thickness	Nipple Material
Visual Flag/Manual Reset	Non-extended up to 108" (2743mm) extension	Omni-directional, SS316	AED Viton Nitrile (Buna-N) Low Temp. Neoprene EPDM Kalrez Nitrile (Buna-N)	DN100=3-10mm	ASTM grades A-333 Gr.6
Electrical/Auto Reset				DN125=3-19mm	A-105N
Visual Flag/Manual Reset + Electrical/Auto Reset				DN150 & larger= 1-50mm	A-350 LF2 A-694 F42-60  API grades Gr.B X42 X52 X60 X70  TUE 250 B DIN 17175 ST35.8 SS 316



# FARREL



## Thank You.



SALES



021-85913771



Sales@farrel.co.id



www.farrel.co.id



PT. Farrel Internusa Pratama